

GC E66 S — SMALL ROUND EXTERIOR SCENCE

SPECIFICATIONS:

OVERALL HEIGHT: 9.1" (23 cm)
OVERALL WIDTH: 8.3" (21 cm)
PROJECTION: 4.2" (10.6 cm)
WEIGHT: 4 lbs (1.8 kgs)

IP RATING: 43



GLASS:

CLEAR

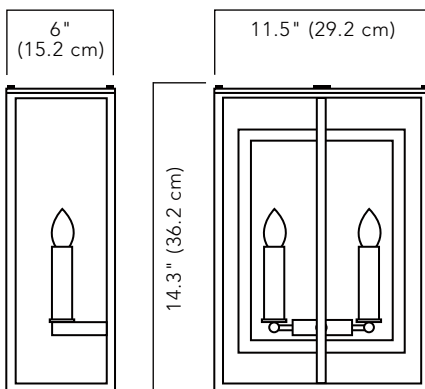
METAL FINISHES:

BRUSHED BRASS
BRUSHED NICKEL
DARK BRONZE
MATTE BLACK
POWDER COAT DARK BRONZE

LAMPING:

INCANDESCENT:
2 X 25W
E12 (UL) / E14 (CE) / E17 (PSE)

LED OR CFL COMPATIBLE



GC E66 L — LARGE ROUND EXTERIOR SCENCE

SPECIFICATIONS:

OVERALL HEIGHT: 14.3" (36.2 cm)
OVERALL WIDTH: 11.5" (29.2 cm)
PROJECTION: 6" (15.2 cm)
WEIGHT: 8 lbs (3.7 kgs)

IP RATING: 43



GLASS:

CLEAR

METAL FINISHES:

BRUSHED BRASS
BRUSHED NICKEL
DARK BRONZE
MATTE BLACK
POWDER COAT DARK BRONZE

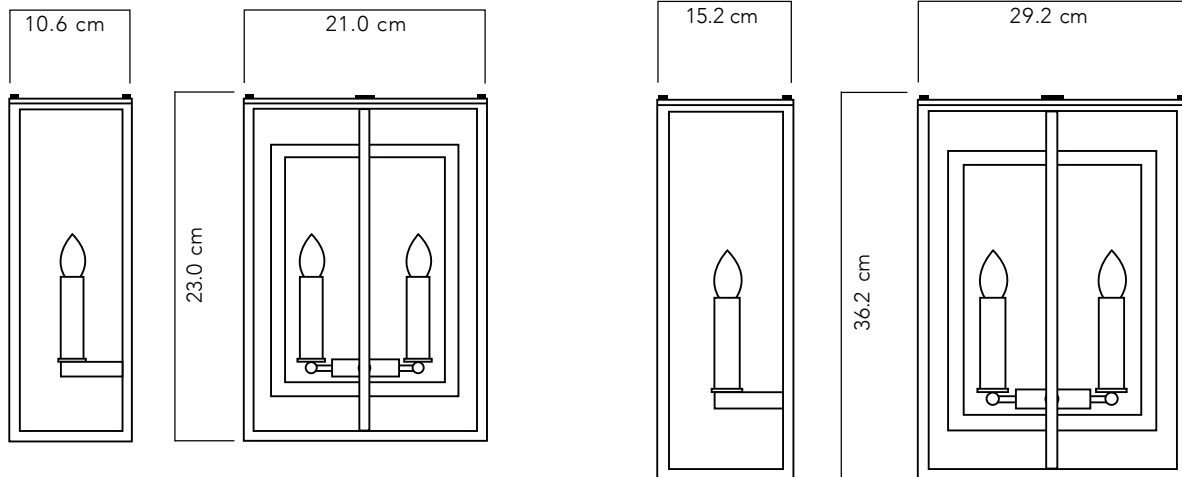
LAMPING:

INCANDESCENT:
2 X 40W
E12 (UL) / E14 (CE) / E17(PSE)

LED OR CFL COMPATIBLE

GILLETTE COLLECTION**GC E66 ROUND EXTERIOR SCONCE**

©2006 CL STERLING & SON, LLC. DESIGNED BY PETER CARLSON, PATENT PENDING

**GC E66 S SMALL ROUND EXTERIOR SCONCE****スペック:**

高さ: 23.0 cm
 幅: 21.0 cm
 奥行: 10.6 cm
 重量: 1.8 kg

GC E66 L LARGE ROUND EXTERIOR SCONCE**スペック:**

高さ: 36.2 cm
 幅: 29.2 cm
 奥行: 15.2 cm
 重量: 3.7 kg

IP RATING: 43

白熱球 / シャンデリア球 / LED

(E17)

GC E66 S - 25W x 2

GC E66 L - 40W x 2

ガラス仕上げ:

クリアガラス

本体フレーム仕上げ:(選択可)

ヘアラインブラス

ヘアラインニッケル

マッドブラック

パウダーコートダークブロンズ