

BC 21 S/U

SMALL ROUND UPRIGHT SCENCE

SPECIFICATIONS:

OVERALL HEIGHT: 10.5" (26.7 cm)
OVERALL DIAMETER: 8.3" (21 cm)
PROJECTION: 3.6" (9.1 cm)
WEIGHT: 4 lbs (1.9 kgs)

CHOICE OF METAL OR MIRROR INSETS

IP RATING: 20
ADA COMPLIANT



LAMPING:

INCANDESCENT: 1 X 60W
E12 (UL) / E14 (CE) / E17 (PSE)
LED OR CFL COMPATIBLE

GLASS:

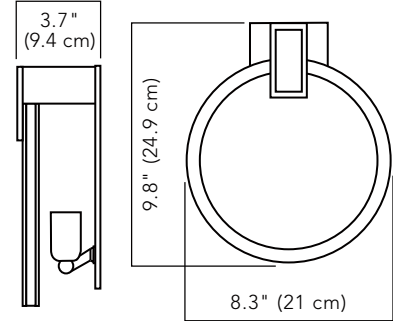
FROSTED
WHITE

METAL FINISHES:

BRUSHED BRASS
BRUSHED NICKEL
DARK BRONZE
POLISHED CHROME
POLISHED NICKEL

LINK INSET:

MIRROR - BC21S/U/A
METAL - BC21S/U/B



BC 21 S/D

SMALL ROUND HANGING SCENCE

SPECIFICATIONS:

OVERALL HEIGHT: 9.8" (24.9 cm)
OVERALL DIAMETER: 8.3" (21 cm)
PROJECTION: 3.7" (9.4 cm)
WEIGHT: 4 lbs (1.9 kgs)

CHOICE OF METAL OR MIRROR INSETS

IP RATING: 20
ADA COMPLIANT



LAMPING:

INCANDESCENT: 1 X 60W
E12 (UL) / E14 (CE) / E17 (PSE)
LED OR CFL COMPATIBLE

GLASS:

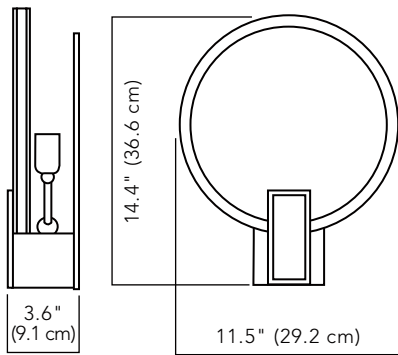
FROSTED
WHITE

METAL FINISHES:

BRUSHED BRASS
BRUSHED NICKEL
DARK BRONZE
POLISHED CHROME
POLISHED NICKEL

LINK INSET:

MIRROR - BC21S/D/A
METAL - BC21S/D/B



BC 21 L/U

LARGE ROUND UPRIGHT SCENCE

SPECIFICATIONS:

OVERALL HEIGHT: 14.4" (36.6 cm)
OVERALL DIAMETER: 11.5" (29.2 cm)
PROJECTION: 3.6" (9.1 cm)
WEIGHT: 7 lbs (3.5 kgs)

CHOICE OF METAL OR MIRROR INSETS

IP RATING: 20
ADA COMPLIANT



LAMPING:

INCANDESCENT: 2 X 60W
E12 (UL) / E14 (CE) / E17 (PSE)
LED OR CFL COMPATIBLE

GLASS:

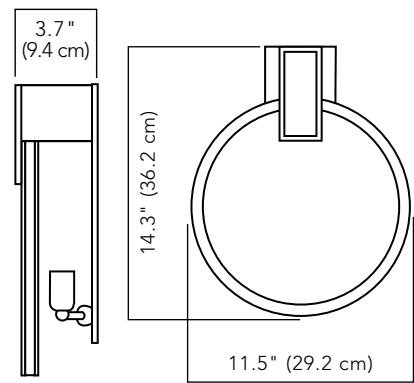
FROSTED
WHITE

METAL FINISHES:

BRUSHED BRASS
BRUSHED NICKEL
DARK BRONZE
POLISHED CHROME
POLISHED NICKEL

LINK INSET:

MIRROR - BC21L/U/A
METAL - BC21L/U/B



BC 21 L/D

LARGE ROUND HANGING SCENCE

SPECIFICATIONS:

OVERALL HEIGHT: 14.3" (36.2 cm)
OVERALL DIAMETER: 11.5" (29.2 cm)
PROJECTION: 3.7" (9.4 cm)
WEIGHT: 7 lbs (3.5 kgs)

CHOICE OF METAL OR MIRROR INSETS

IP RATING: 20
ADA COMPLIANT



LAMPING:

INCANDESCENT: 2 X 60W
E12 (UL) / E14 (CE) / E17 (PSE)
LED OR CFL COMPATIBLE

GLASS:

FROSTED
WHITE

METAL FINISHES:

BRUSHED BRASS
BRUSHED NICKEL
DARK BRONZE
POLISHED CHROME
POLISHED NICKEL

LINK INSET:

MIRROR - BC21L/D/A
METAL - BC21L/D/B

BROCKWAY COLLECTION**BC 21 L/U LARGE ROUND UPRIGHT SCONCE****BC 21 L/D LARGE ROUND HANGING SCONCE**

©2006 CL STERLING & SON, LLC DESIGNED BY PETER CARLSON, PATENT PENDING

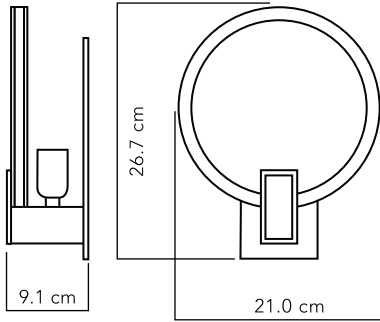
BC 21 S/U**SMALL ROUND UPRIGHT SCONCE****BC 21 S/D****SMALL ROUND HANGING SCONCE****スペック:****BC 21 S/U**

高さ: 26.7 cm

直径: 21.0 cm

奥行: 9.1 cm

重量: 1.9 kg

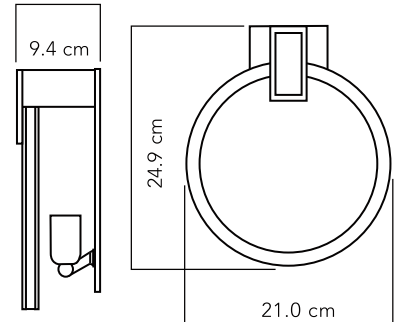
**BC 21 S/D**

高さ: 24.9 cm

直径: 21.0 cm

奥行: 9.4 cm

重量: 1.9 kg

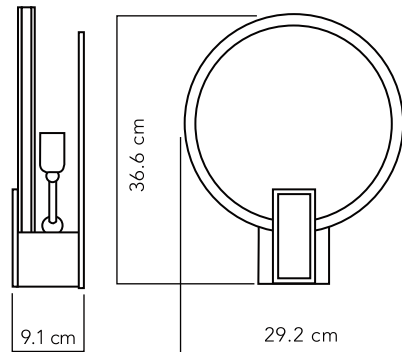
**BC 21 L/U**

高さ: 36.6 cm

直径: 29.2 cm

奥行: 9.1 cm

重量: 3.5 kg

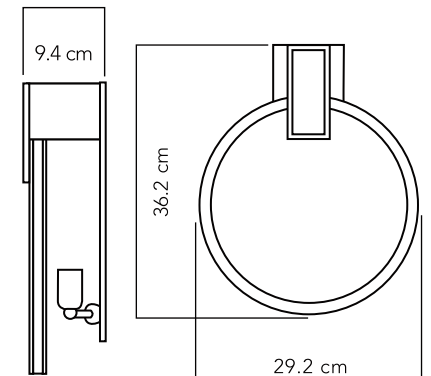
**BC 21 L/D**

高さ: 36.2 cm

直径: 29.2 cm

奥行: 9.4 cm

重量: 3.5 kg

**白熱球 / シャンデリア球 / LED**

(E17)

BC 21S - 60W x 1

BC 21L - 60W x 2

IP RATING: 20

ガラス仕上げ: (選択可)

艶消(標準仕様)

白色(カスタムオーダー)

本体フレーム仕上げ: (選択可)

ヘアラインブラス

ヘアラインニッケル

ポリッシュクローム

ポリッシュニッケル

ダークブロンズ

飾り枠仕上げ: (選択可)

BC 21 L/U/A - ミラー

BC 21 L/U/B - メタル

BC 21 L/D/A - ミラー

BC 21 L/D/B - メタル

飾り枠仕上げ(選択可):

BC 21 S/U/A - ミラー

BC 21 S/U/B - メタル

BC 21 S/D/A - ミラー

BC 21 S/D/B - メタル

本体価格	BC 21S	¥120,000 (税抜)
本体価格	BC 21L	¥135,000 (税抜)