

BC 11 S

SMALL ROUND CEILING FIXTURE

SPECIFICATIONS:

OVERALL HEIGHT: 5.5" (14 cm)
OVERALL DIAMETER: 8.3" (21 cm)
CANOPY HEIGHT: 0.8" (2 cm)
CANOPY DIA: 4.5" (11.4 cm)
WEIGHT: 5 lbs (2.3 kgs)

IP RATING: 20



LAMPING:

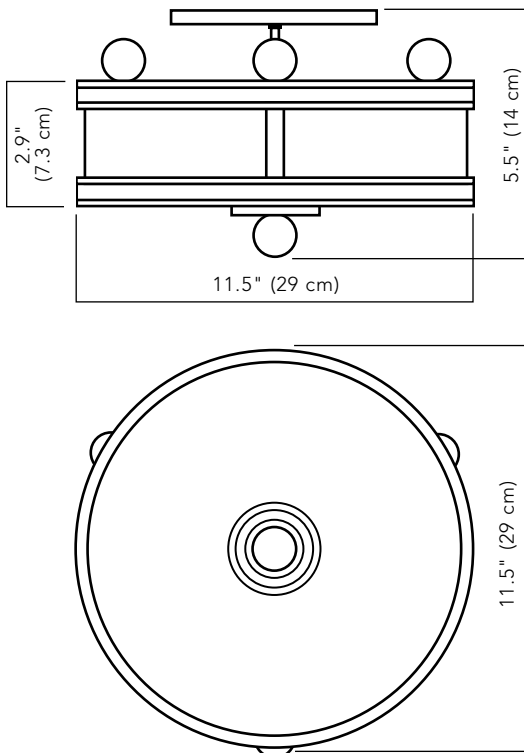
INCANDESCENT:
2 X 40W
COMPACT FLUORESCENT:
2 X 9W
E12 (US) / E14 (OUTSIDE US)

GLASS:

FROSTED
WHITE

METAL FINISHES:

BRUSHED BRASS
BRUSHED NICKEL
DARK BRONZE
POLISHED CHROME
POLISHED NICKEL



BC 11 L

LARGE ROUND CEILING FIXTURE

SPECIFICATIONS:

OVERALL HEIGHT: 5.5" (14 cm)
OVERALL DIAMETER: 11.5" (29 cm)
CANOPY HEIGHT: 0.8" (2 cm)
CANOPY DIA: 4.5" (11.4 cm)
WEIGHT: 7 lbs (3.2 kgs)

IP RATING: 20



LAMPING:

INCANDESCENT:
2 X 60W
COMPACT FLUORESCENT:
2 X 14W
E12 (US) / E14 (OUTSIDE US)

GLASS:

FROSTED
WHITE

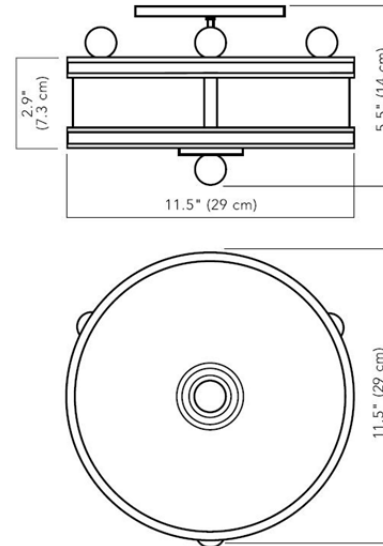
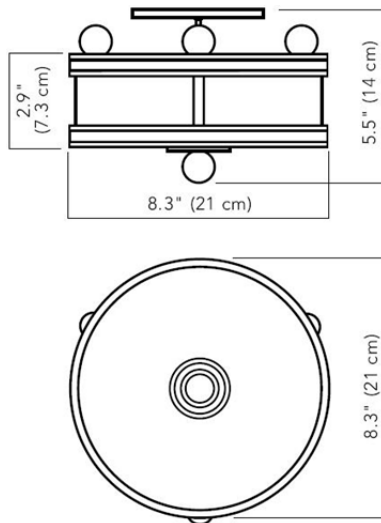
METAL FINISHES:

BRUSHED BRASS
BRUSHED NICKEL
DARK BRONZE
POLISHED CHROME
POLISHED NICKEL

BROCKWAY COLLECTION

BC 11 ROUND CEILING FIXTURE

©2006 CL STERLING & SON, LLC. DESIGNED BY PETER CARLSON, PATENT PENDING



BC 11 S SMALL ROUND CEILING FIXTURE

スペック:

高さ: 5.5" (14 cm)

幅: 8.3" (21 cm)

重量: 5 lbs (2.3 kgs)

BC 11 L LARGE ROUND CEILING FIXTURE

スペック:

高さ: 5.5" (14 cm)

幅: 11.5" (29 cm)

重量: 7 lbs (3.2 kgs)

キャノピー:

高さ: 0.8" (2 cm)

直径: 4.5" (11.4 cm)

IP RATING: 20

白熱球 / シャンデリア球 (E14)

BC 11 S - 40W x 2

BC 11 L - 60W x 2

ガラス仕上げ: (選択可)

艶消

白色

本体フレーム仕上げ: (選択可)

ヘアラインプラス

ヘアラインニッケル

ポリッシュ・クローム

ポリッシュ・ニッケル

ダークブロンズ